

4

3

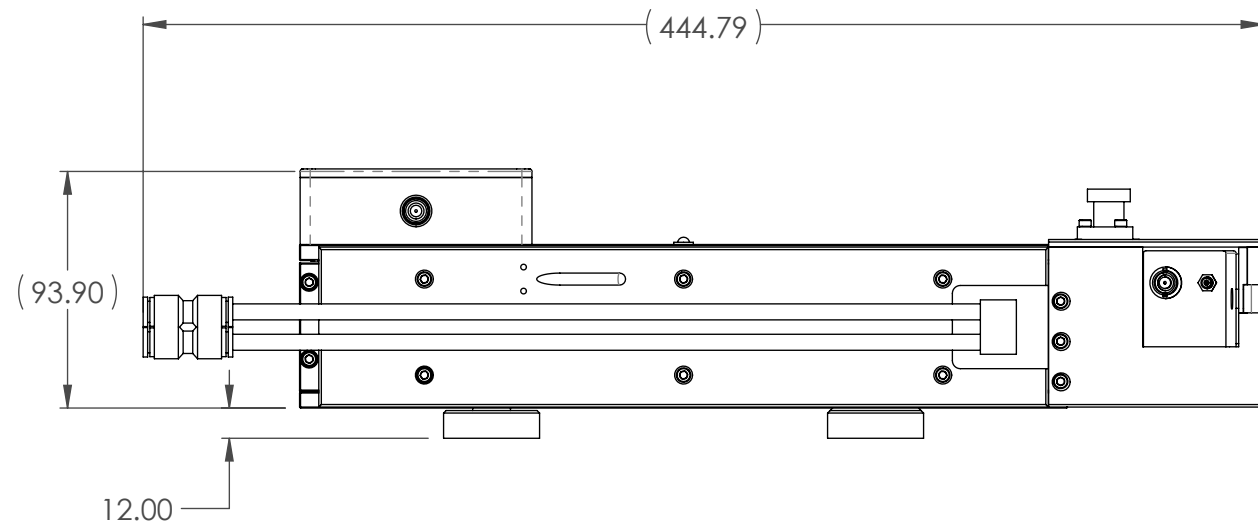
2

1

REVISION HISTORY					
ECO	ZONE	REV	DESCRIPTION	DATE	APPROVED
		A.01			

NOTES UNLESS OTHERWISE SPECIFIED:

- DRAWING IS FOR REFERENCE ONLY.
- REFER TO SOLID MODEL FOR ALL UNDIMENSIONED FEATURES.



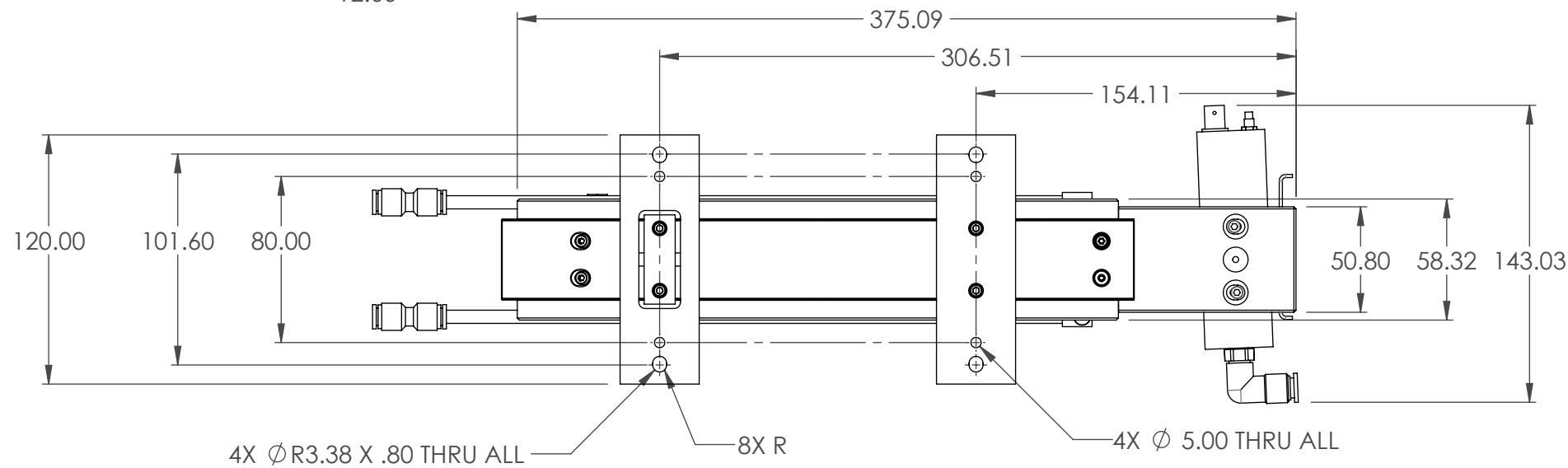
BEAM PATH

Ø 18.80

55.36

60.01

OPTIC MOUNTING HOLES
 3X Ø 3.30 THRU ALL
 DO NOT EXCEED 7mm FROM SURFACE



ACCESS LASER TRUMPF
 Member of the TRUMPF Group

Phone: 425-582-8674
 Fax: 425-582-8679
 www.accesslaser.com/
 purchasing@accesslaser.com

PROPRIETARY AND CONFIDENTIAL
 THE INFORMATION CONTAINED IN THIS DRAWING IS THE SOLE PROPERTY OF ACCESS LASER COMPANY. ANY REPRODUCTION IN PART OR AS A WHOLE WITHOUT THE WRITTEN PERMISSION OF ACCESS LASER COMPANY IS PROHIBITED.

TOLERANCE / UNIT	
ISO 2768	ASME Y14.5-2009
METRIC	INCHES
0.5 UP TO 6 : ±0.1	.x ± .1
< 6 UP TO 30 : ±0.2	.xx ± .01
< 30 UP TO 120 : ±0.3	.xxx ± .005
< 120 UP TO 400 : ±0.5	
< 400 UP TO 1000 : ±0.8	
FRACTIONAL ±1/64	
BEND: ± .3	
ANGULAR: MACH ±0°20'	ANGULAR: MACH ±0°5'

DRAWN BY	
CHECKED BY	
APPROVED BY	
FINISH	
MATERIAL	

THIRD ANGLE PROJECTION

SURFACE FINISH

PART NO.	891-04401-115	REV	A.01
DESCRIPTION:	L5SLT-AOM Laser, WCCL 28V		

DRAWING SHALL BE IN ACCORDANCE WITH ASME Y14.5-2009 DO NOT SCALE DRAWING SCALE 1:8 SHEET 1 OF 1 SIZE B

4

3

2

1

B

B

A

A