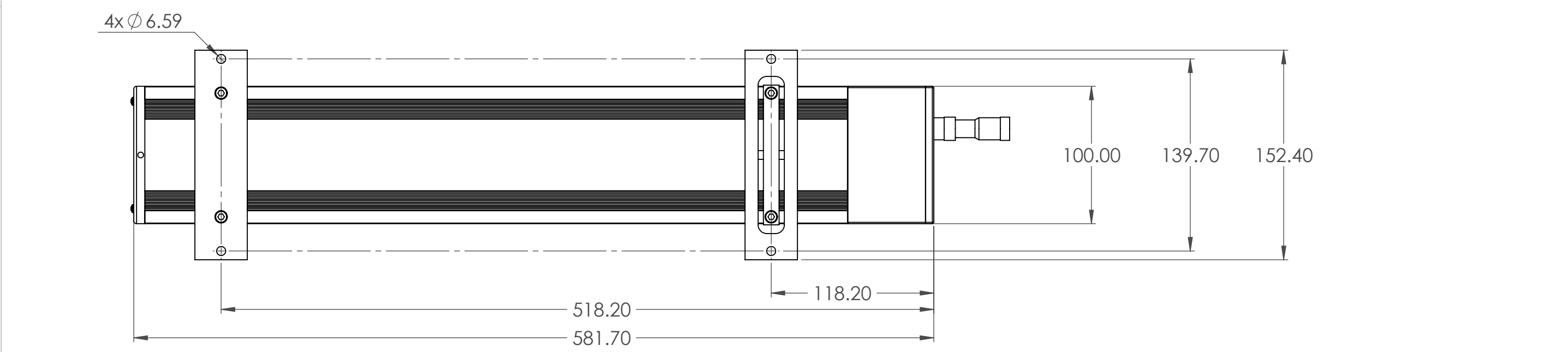
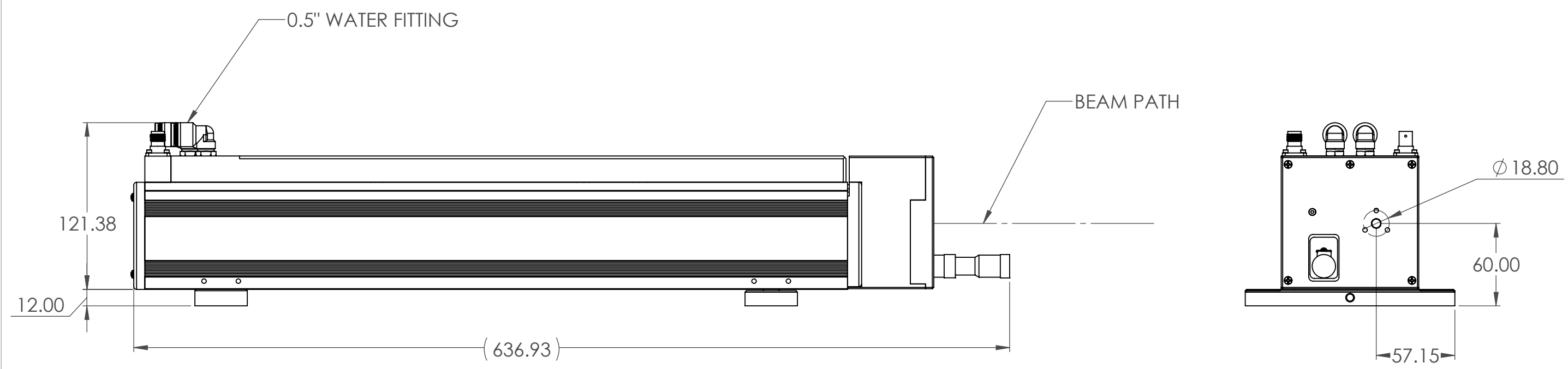


| REVISION HISTORY |      |      |             |      |          |
|------------------|------|------|-------------|------|----------|
| ECO              | ZONE | REV  | DESCRIPTION | DATE | APPROVED |
|                  |      | A.01 |             |      |          |



**ACCESS LASER** TRUMPF  
Member of the TRUMPF Group

Phone: 425-582-8674  
Fax: 425-582-8679  
www.accesslaser.com/  
purchasing@accesslaser.com

**PROPRIETARY AND CONFIDENTIAL**

THE INFORMATION CONTAINED IN THIS DRAWING IS THE SOLE PROPERTY OF ACCESS LASER COMPANY. ANY REPRODUCTION IN PART OR AS A WHOLE WITHOUT THE WRITTEN PERMISSION OF ACCESS LASER COMPANY IS PROHIBITED.

| TOLERANCE / UNIT        |  |
|-------------------------|--|
| ISO 2768                | ASME Y14.5-2009                                      |
| METRIC                  | INCHES   |
| 0.5 UP TO 6 : ±0.1      | .x ± .1  |
| < 6 UP TO 30 : ±0.2     | .xx ± .01  |
| < 30 UP TO 120 : ±0.3   | .xxx ± .005  |
| < 120 UP TO 400 : ±0.5  |  |
| < 400 UP TO 1000 : ±0.8 |  |
| ANGULAR: MACH ±0°20'    | FRACTIONAL ±1/64<br>BEND: ±.3<br>ANGULAR: MACH ±0°5' |

|             |  |
|-------------|--|
| DRAWN BY    |  |
| CHECKED BY  |  |
| APPROVED BY |  |
| FINISH      |  |
| MATERIAL    |  |

THIRD ANGLE PROJECTION

SURFACE FINISH

|   |                     |                      |           |
|---|---------------------|----------------------|-----------|
| PART NO.  |                     | REV                  |           |
| DESCRIPTION:  | AL20G Laser, WC 28V |                      |           |
| DRAWING SHALL BE IN ACCORDANCE WITH ASME Y14.5-2009 |                     | DO NOT SCALE DRAWING | SCALE 1:3 |
|   |                     | SHEET 1 OF 1         | SIZE B    |